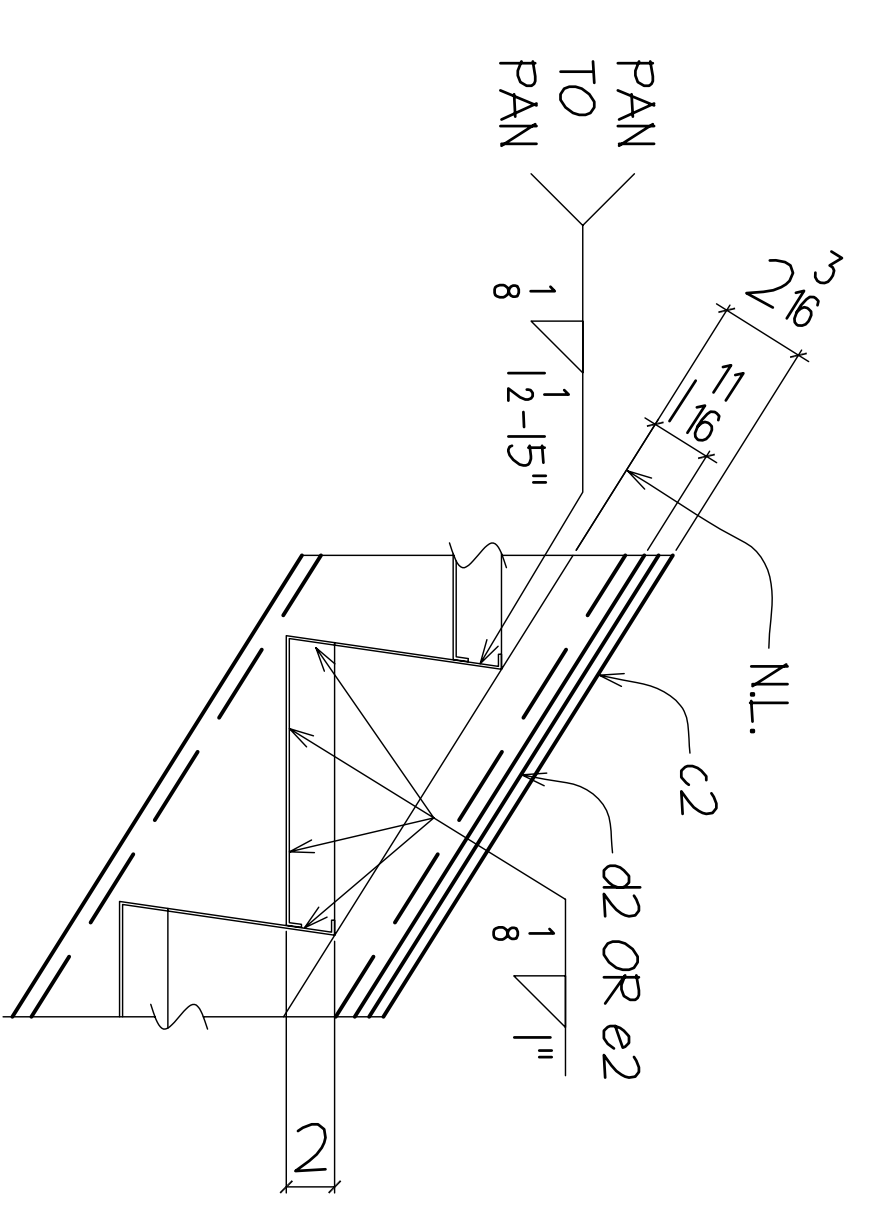
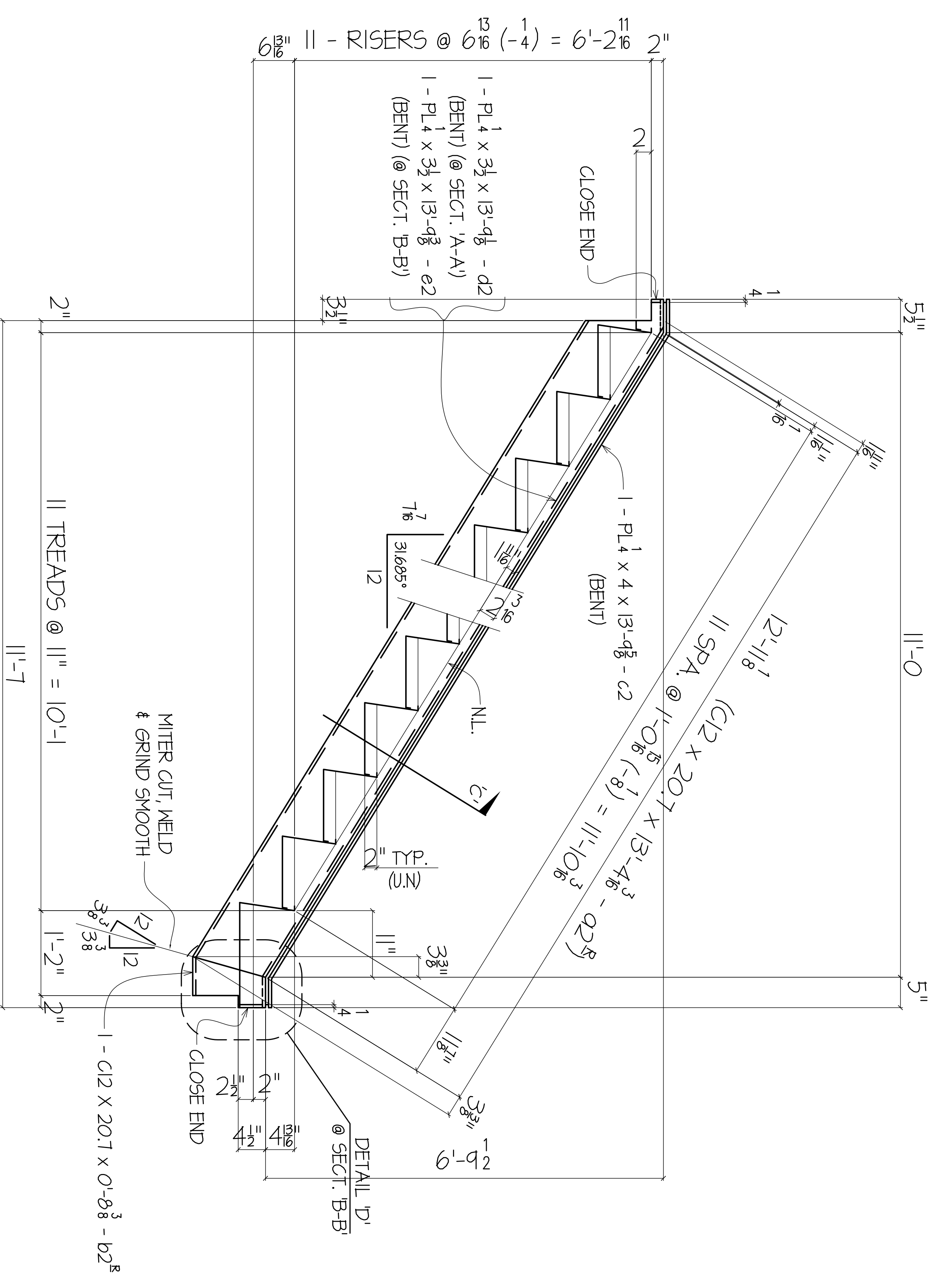


PLAN VIEW

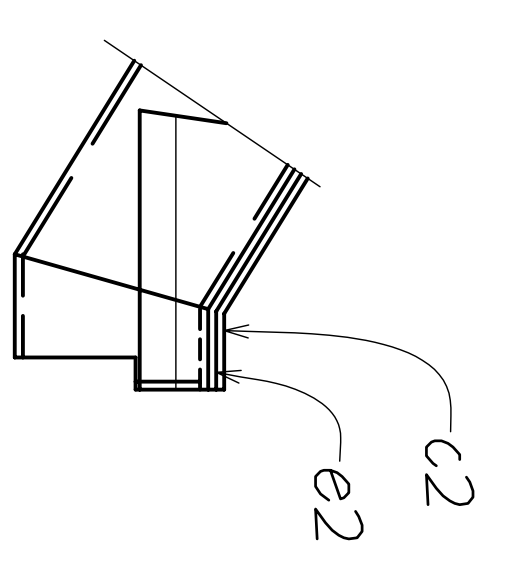
2 - THUS - 251



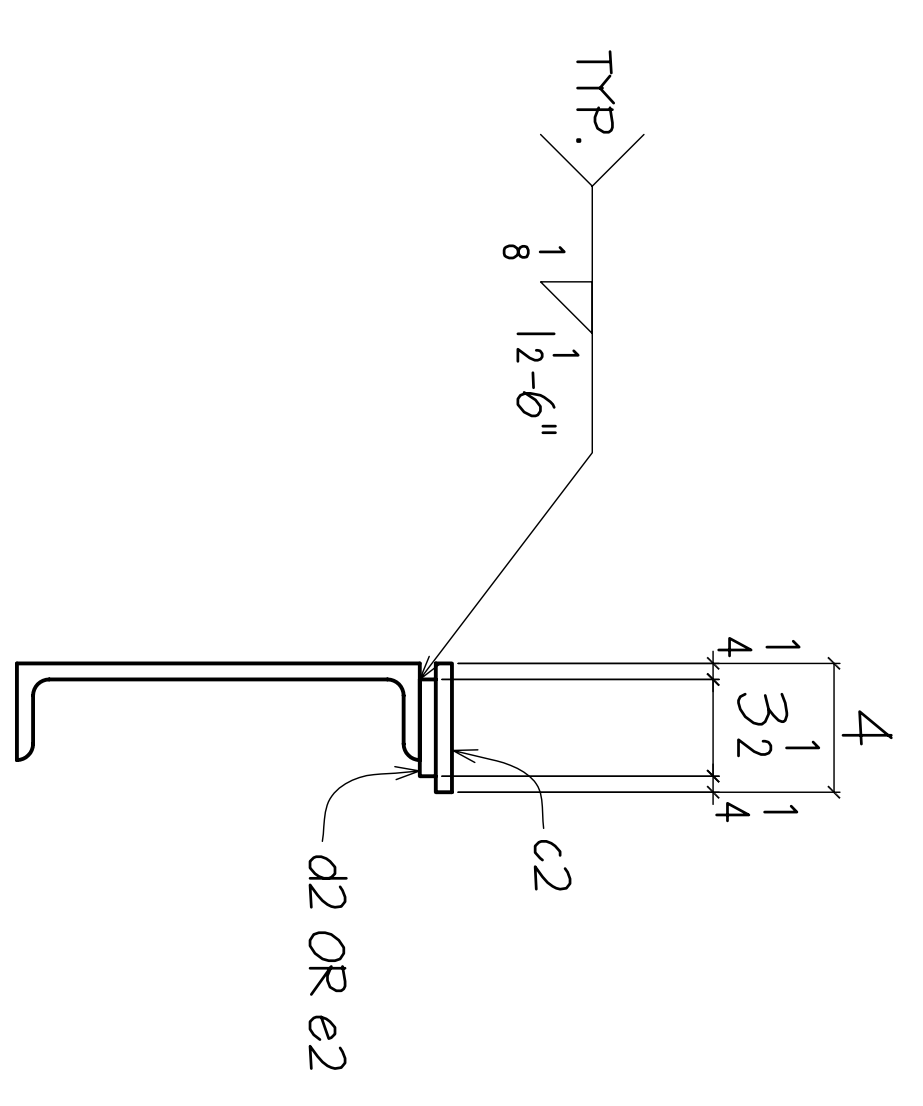
TYP. WELDING OF PANS



SECTION "A-A" (AS SHOWN)
SECTION "B-B" (OPP. HAND)



SECTION - "D''



SECTION - "C''

PLAIN MATERIAL
4 - L4 x 4 x 5/8 x 0'-6 - MK-2A2

- NOTE:
1. ALL CLOSURE PLATE SHALL BE 1/4 INCH THK. PLATE.
 2. GRIND SMOOTH ALL WELDED JOINTS.

RELEASED FOR
FABRICATION

(REF. E1, E2 & E3)

Steel Designs, Inc.

13303 EMMETT HOUSTON, TX 77041
713/937-3006
713/937-9086

FIELD BOLTS THIS SHEET

ARCHITECT'S REF. SHEET	NO.	FOR	DATE	PRINTS ISSUED
PAINT - ONE SHOP COAT		APPVL		
THNEMEC #10-99 PRIMER				
REVISIONS				
1				
2				
3				
4				
ERECTION		DWG. APPR. D.		
<input type="checkbox"/> YES	<input type="checkbox"/> NO			

PROJECT	STAIR #
ST. JOHN'S SCHOOL HOUSTON, TEXAS	# 1

CONTRACTOR	ARCHITECT
W.S. BELLOWS CONSTRUCTION	ZIEGLER COOPER

DATE	CHKD. BY	DATE
7/04	M.L.S.	8/26/04

JOB NO.	ITEM	DRG.	OF
0433	1	2	0F

BACK CHARGES FOR
FIELD CORRECTIONS
WILL NOT BE ACCEPTED
WITHOUT PRIOR NOTIFI-
CATION.